

FITTING INSTRUCTIONS

COMPO-WOOD Decking



Instructions

Thank you for choosing Compo-wood for your new decking.
Please keep to the following instructions for best results.

The 140 x 21 Compo-wood slats are designed as a non-structural covering for outdoor decking with pedestrian use.

Before starting to fit the slats, please read the instructions carefully.

Material needed:

Supplied with compo-wood kit :

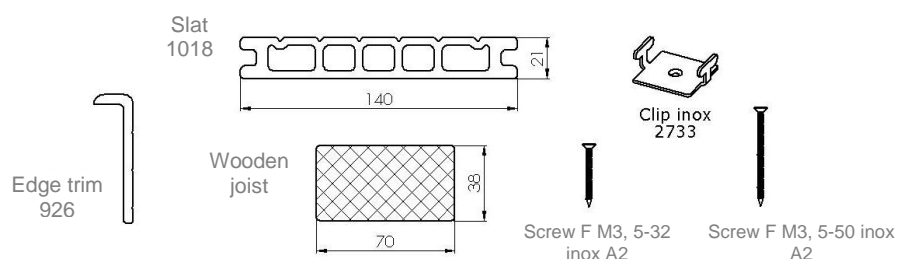
Slats: 1018

Edging strips: 926

Clips: 2733

Screws: A2 F M3, 5-32

Screws: A2 F M3, 5-50



Joists: (Not supplied)

For 1m² decking, you will need:

- 7 by 1m lengths of slats (140mm x 21mm)
- 3 by 1m lengths of joist (counting 2 joists where slats join in length) and more if slats are set at a 45° or 30° angle
- 18 fixing clips for standard installation (more according to design and configuration of the deck)
- Both ends of each slat must be fixed with a clip or a screw. It is also recommended to use a screw at every point where a slat crosses a joist (see drawings).

Storage:

Until use, the slats and edges must be stored in a dry and aerated place, protected from humidity and sun light.

48 hours before use, unpack the product and lay it flat near the fitting site.

Tools:

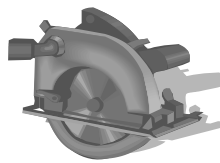
Please use tools available at dedicated retailers. You will need a drill, an electric screwdriver and a circular saw with a tungsten carbide blade.



Drill



Electric screwdriver



Circular saw

Ground preparation:

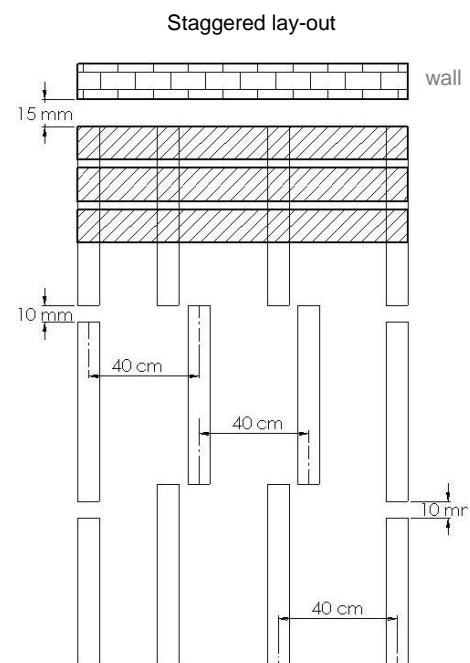
Arrange for an incline following the length of the slats (5mm per meter) to allow water to run.

The decking can be fitted on:

- A concrete incline (perfectly smooth)
- piles of concrete blocks 40cm apart, on top of purpose made felt sheet to prevent weeds and moss

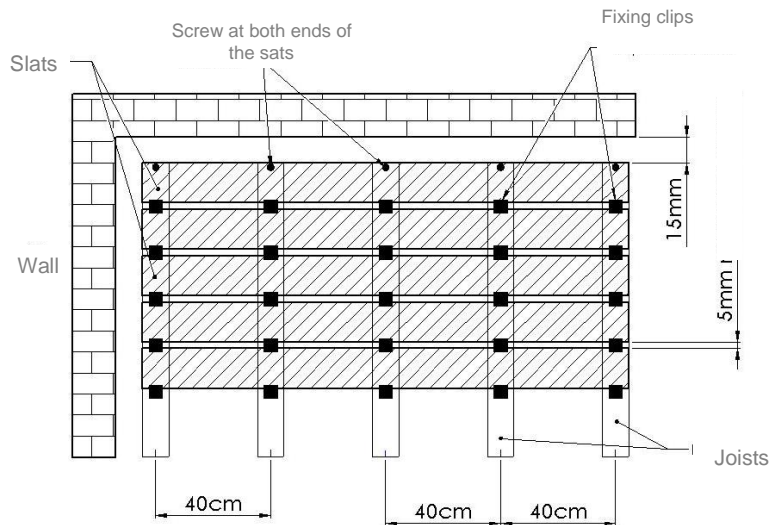
Fitting the joists:

- The joist should be wood (treated pine or hard wood), minimum 70 x 38 cm.
- Lay the joists on their large side (70mm) then peg them directly unto the concrete or the blocks with stainless steel braces (the joists should not be concreted in).
- To allow good ventilation, the slats should be placed at right angles to the joists. The joists will be 40cm apart from each other, side to side or staggered.
- For a special visual effect, the slats can be placed at a 45° angle to the joist. In this case, the joists will have to be placed 20cm apart. For a 30° angle, place the joists 10 cm apart.
- Allow 10mm space lengthways between 2 consecutive slats to allow the slats to expand. Leave 15mm between slats and walls or any obstacle.
- Both ends of each slat must be resting and fixed onto a joist to keep the surface flat. One clip can be used to fix the ends of four slats to a joist. It is also possible to have two joists side by side where the ends of the slats meet so that each slat rests on a different joist.

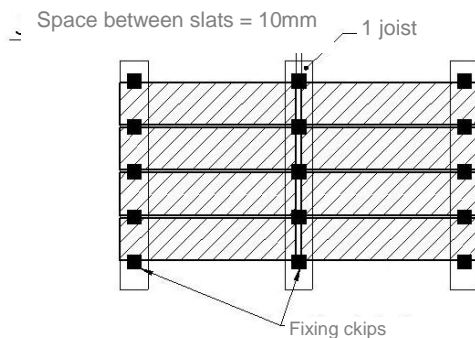


Space between slats:

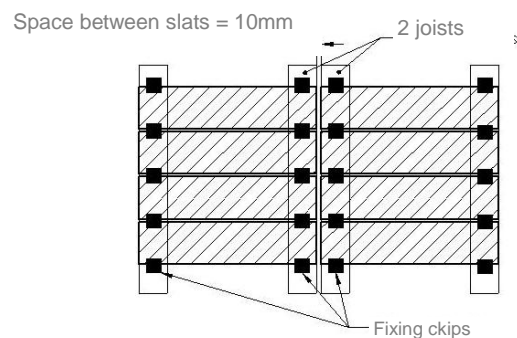
- The slats need a 5mm gap between each other widthways. The clips create this space.
- The slats need a 10mm gap between each other lengthways to allow expansion.
- Do not place slats and joists closer than 15mm from a wall or any obstacle.
- It is possible to obtain different visual effects by placing the slats at a 45° or 30° angle to the joists.



Marrying 2 slats on 1 joist



Marrying 2 slats on 2 joists



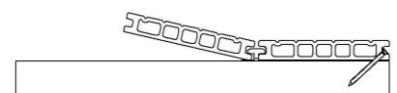
Fitting the slats:

- Put the chosen side of the slat facing upwards (smooth or brushed). (Fig 1)
- Fix the slat near the edge with F M3,5-50 either straight or angled from the inside partition to hide the screw head. (Fig 2).
- The use of stainless steel screws is recommended. Use a low speed torque setting on the screwdriver and do not over tighten. To avoid splitting, do not place screws near the end of a slat.
- Place the clips under the first slat. Fix clips to joists with FM 3,5-32 screws.
- One clip can be used to fix the end of four slats.
- Insert the second slat into the clips and keep repeating this action.
- The clips act as spacers widthways between the slats. Use a 10mm wedge to check the space between the slats lengthways.

Fig 1

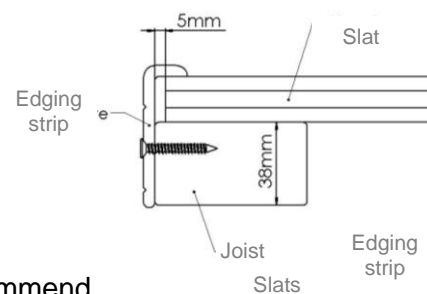


Fig 2



Finish:

- When the slats have been fixed, trim the ends even with a circular saw, and then do the same with the joists.
- Fix the edging strip onto the joists from the end side with F M3,5-32 screws or on the slats with F M3,5-50 (to allow the screws to bite into both walls of the slats). Leave a 5mm gap between the edge trim and the end of the joist or the end of the slats in the length. We recommend pre-drilling holes to put screws in place every 40cm along the edging strip (to avoid splitting).

**Decking maintenance:**

- Clean the slats with soapy water or with an airline.
- Do not use solvent cleaners on the decking.
- Clean the gaps between slats with a metal blade to scrape dirt out and allow water to run freely.

If you experience any difficulty in fitting your decking, please do not hesitate to contact the office on **01952 292852** where we will be happy to assist you further.